



KHB3K(BK3) Series 3-Way High Pressure Ball Valve

Specifications:

- ◆ 3-Way L (T) Port 1/8" to 2"
- ◆ Male/Female thread DN04 to DN50
- ◆ Steel or Stainless steel material
- ◆ Standard POM ball seal & NBR O-ring
- ◆ Working Pressure 315bar to 500bar (10bar=145psi)
- ◆ Working Temp: -25 °C~ +100°C with standard NBR o-ring;
-30 °C ~ +170°C with specified FPM o-ring
- ◆ Standard zinc alloy crooked handle



► Model Code

KHB3K - NPT 1/2 - 1 1 1 2 - 02X - W
 (1) (2) (3) (4) (5) (6) (7) (8) (9)

(1)Series Code: KHB3K (BK3)

(2)Joint Code: NPT, G, M, LR, SR

(3)Thread Size: 1/8" - 2"

(4)Body Material: 1 = Carbon steel (standard)

2 = Stainless steel SS304

3 = Stainless steel SS316

(5)Ball Material: 1 = Carbon steel (standard)

2 = Stainless steel SS304

3 = Stainless steel SS316

(6)Ball Seal Material: 1 = POM (Polyacetal) (standard)

2 = PTFE (Teflon)

(7)O-Ring Material: 2 = NBR (standard)

4 = FPM (Fluoroelastomer)

(8)Handle Type: 02X = Zinc alloy crooked handle (standard)

04X = Steel crooker handle

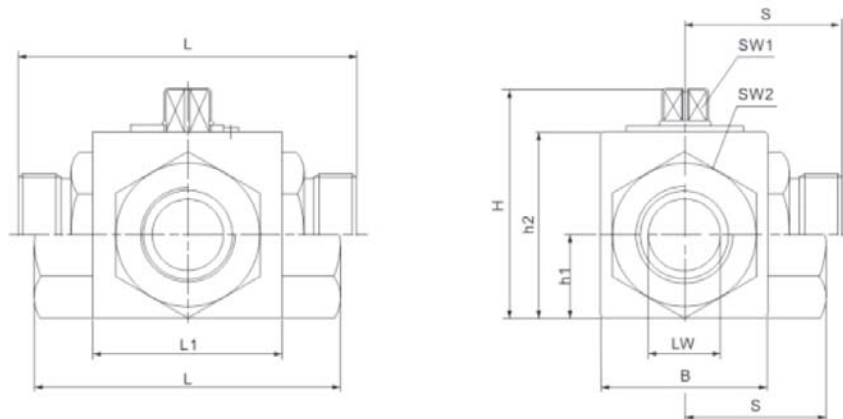
09X = Without handle

(9)Surface Disposal: W = White zinc plated

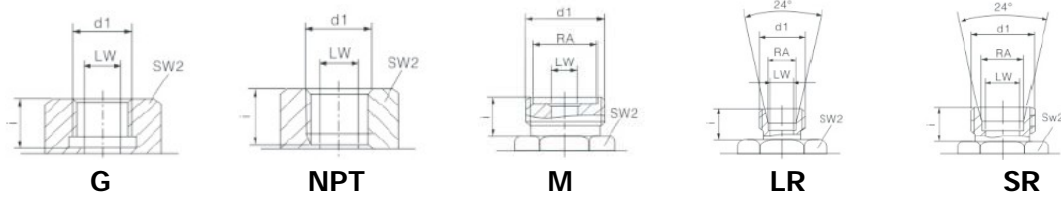
Y = Yellow zinc plated

B = Blank-phosphoric polish

► Dimensions



► Port Chart



► Dimension Sheet

ISO 228 Female Thread/Internal Thread

Model	DN (mm)	PN (bar)	LW	thread	i	L	L1	B	H	h1	h2	SW1	SW2
KHB3K-G1/8	04	500	06	BSP1/8	10	69	40	26	45	13.5	33	09	22
KHB3K-G1/4	06	500	06	BSP1/4	14	69	40	26	45	13.5	33	09	22
KHB3K-G3/8	10	500	10	BSP3/8	14	72	42	32	49	16	36	09	27
KHB3K-G1/2	16	400	16	BSP1/2	16	83	48	38	61	19	45	09	32
KHB3K-G3/4	20	315	20	BSP3/4	18	95	60	48	70	25	55	12	41
KHB3K-G1	25	315	25	BSP1	21	113	65	57	78	28.5	64	12	46
KHB3K-G1.1/4	32	315	32	BSP1.1/4	22	120	75	66	92	33	75	14	55
KHB3K-G1.1/2	40	315	38	BSP1.1/2	24	130	91	80	105	40	88	14	70
KHB3K-G2	50	315	48	BSP2	26	140	100	96	121	48	104	14	85

ANSI B1.20.1 Female Thread/Internal Thread

Model	DN (mm)	PN (bar)	LW	thread	i	L	L1	B	H	h1	h2	SW1	SW2
KHB3K-NPT1/8	04	500	06	NPT1/8	10	69	40	26	45	13.5	33	09	22
KHB3K-NPT1/4	06	500	06	NPT1/4	14	69	40	26	45	13.5	33	09	22
KHB3K-NPT3/8	10	500	10	NPT3/8	14	72	42	32	49	16	36	09	27
KHB3K-NPT1/2	16	400	16	NPT1/2	16	83	48	38	61	19	45	09	32
KHB3K-NPT3/4	20	315	20	NPT3/4	18	95	60	48	70	25	55	12	41
KHB3K-NPT1	25	315	25	NPT1	21	113	65	57	78	28.5	64	12	46
KHB3K-NPT1.1/4	32	315	32	NPT1.1/4	22	120	75	66	92	33	75	14	55
KHB3K-NPT1.1/2	40	315	38	NPT1.1/2	24	130	91	80	105	40	88	14	70
KHB3K-NPT2	50	315	48	NPT2	26	140	100	96	121	48	104	14	85

JB984-77 Male Thread/External Thread

Model	DN (mm)	PN (bar)	LW	RA	thread	i	L	L1	B	H	h1	h2	SW1	SW2
KHB3K-M16x1.5	04	500	06	11	M16x1.5	11	69	40	26	45	13.5	33	09	22
KHB3K-M22x1.5	06	500	08	16	M22x1.5	12	76	42	32	49	16	36	09	27
KHB3K-M27x1.5	10	500	10	20	M27x1.5	12	76	42	32	49	16	36	09	27
KHB3K-M30x1.5	16	400	15	24	M30x1.5	13	84	48	38	61	19	45	09	32
KHB3K-M36x2	20	315	20	30	M36x2	15	103	60	48	70	25	55	12	41
KHB3K-M42x2	25	315	23	35	M42x2	18	116	65	57	79	28.5	64	12	46
KHB3K-M52x2	32	315	32	40	M52x2	20	149	75	66	92	33	75	14	55
KHB3K-M60x2	40	315	38	45	M60x2	22	174	91	80	105	40	88	14	70



DIN 2353 Light Series Male Thread/External Thread

Model	DN (mm)	PN (bar)	LW	RA	thread	i	L	L1	B	H	h1	h2	SW1	SW2
KHB3K-06LR	04	500	04	06	M12x1.5	10	67	40	26	45	13.5	33	09	22
KHB3K-08LR	06	500	06	08	M14x1.5	10	67	40	26	45	13.5	33	09	22
KHB3K-10LR	08	500	08	10	M16x1.5	11	74	42	32	49	16	36	09	27
KHB3K-12LR	10	500	10	12	M18x1.5	11	74	42	32	49	16	36	09	27
KHB3K-15LR	13	500	12	15	M22x1.5	12	82	48	35	53	17	40	09	30
KHB3K-15LR	12	400	12	15	M22x1.5	12	82	48	38	61	19	45	09	32
KHB3K-18LR	13	500	12	18	M26x1.5	12	82	48	35	53	17	40	09	30
KHB3K-18LR	16	400	15	18	M26x1.5	12	82	48	38	61	19	45	09	32
KHB3K-22LR	20	315	19	22	M30x2	14	101	60	48	70	25	55	12	41
KHB3K-28LR	25	315	24	28	M36x2	14	108	65	57	79	28.5	64	12	46
KHB3K-35LR	32	315	30	32	M45x2	16	141	75	66	92	33	75	14	55
KHB3K-42LR	40	315	36	42	M52x2	16	162	91	80	105	40	88	14	70

DIN2353 Heavy Series Male Thread/External Thread

Model	DN (mm)	PN (bar)	LW	RA	thread	i	L	L1	B	H	h1	h2	SW1	SW2
KHB3K-08SR	04	500	05	08	M16x1.5	12	73	40	26	45	13.5	33	09	22
KHB3K-10SR	06	500	06	10	M18x1.5	12	73	40	26	45	13.5	33	09	22
KHB3K-12SR	08	500	08	12	M20x1.5	12	76	42	32	49	16	36	09	27
KHB3K-14SR	10	500	10	14	M22x1.5	14	80	42	32	49	16	36	09	27
KHB3K-16SR	13	500	12	16	M24x1.5	14	86	48	35	53	17	40	09	30
KHB3K-16SR	12	400	12	16	M24x1.5	14	86	48	38	61	19	45	09	32
KHB3K-20SR	13	500	12	20	M30x2	16	90	48	35	53	17	40	09	30
KHB3K-20SR	16	400	15	20	M30x2	16	90	48	38	61	19	45	09	32
KHB3K-25SR	20	315	20	25	M36x2	18	109	60	48	70	25	55	12	41
KHB3K-30SR	25	315	25	30	M42x2	20	120	65	57	79	28.5	64	12	46
KHB3K-38SR	32	315	30	38	M52x2	22	153	75	66	92	33	75	14	55